

## 1 Product overview

### 1.1 Main illustration

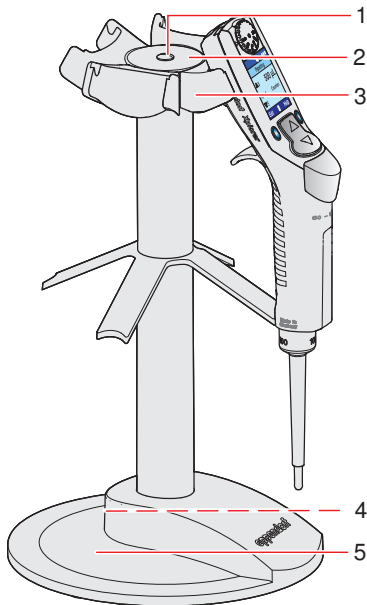
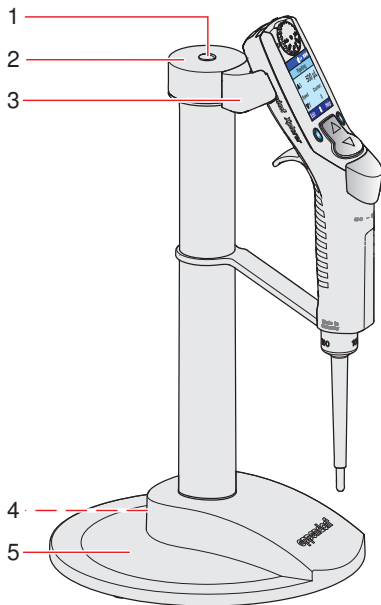


Fig. 1: Charger stand for 1 Xplorer pipette

Fig. 2: Charger carousel for 4 Xplorer pipettes

|   |   |
|---|---|
| <b>1 Sealing cap</b>  | <b>2 Cover panel</b>  |
| <b>3 Charger shell</b>  | <b>4 Connector socket</b><br>For the charging plug of the power pack. |
| <b>5 Base stand</b><br>With a product information plate on the underside. |   |

### 1.2 Product features

The charger stand is capable of charging one Xplorer pipette and the charger carousel is capable of charging four Xplorer pipettes. Either a single-channel or multi-channel Xplorer can be inserted into a charger tray. The charger shell can be exchanged. Instead of using a charger shell for an Xplorer, a charger shell for a Multipette/Repeater (X)stream can be used (see *Ordering information* on p. 4). The charger shell for a Multipette/Repeater (X)stream is colored blue. The charge process is indicated in the dispensing device's display window by a flashing rechargeable battery symbol. When a device is inserted or removed from a charger shell, this is indicated briefly in the dispensing device's display window.

## 2 Installation

### 2.1 Power pack



**WARNING! Use of incorrect power supplies may result in burning, melting and short-circuiting of the Xplorer pipette.**

The charger stand and charger carousel require different power supplies. Only use the suitable power supply for charging the device.

- ▶ For the charger stand, use the power supply with the order number 4986 603.005 from the delivery package of the Xplorer.
- ▶ For the charger carousel, use the power supply included in the delivery with the order number 4880 603.006.



Each power pack has an adhesive label with the Eppendorf logo and the order number of the power pack.

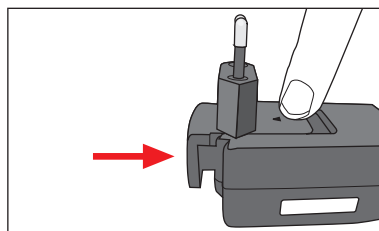
#### Power pack 4896 603.005 for charging stand 4880

- ▶ Connect the charging plug of the power pack to the connector socket of the charging stand.

#### Power pack 4880 603.006 for charging carousel 4880

- ▶ Insert the appropriate mains plug adapter for your power supply into the opening of the power pack, while holding the marking on the mains plug adapter pressed.

If you are in any doubt which mains plug adapter should be used for the power supply device, you should consult an electrician.



### 2.2 Technical data

#### Power pack 4986 603.005 for charging stand 4880

Type: Power pack for charging stand 4880, Xplorer, Multipette/Repeater (X)stream with plug-in mains plug adapters

Input voltage: 100 V to 240 V  $\pm$  10% 50/60Hz

Output voltage: 5 V, 1 A

#### Power pack 4880 603.006 for charging carousel 4880

Type: Power pack for charging carousel 4880 with plug-in mains plug adapters

Input voltage: 100 V to 240 V  $\pm$  10% 50/60Hz

Output voltage: 5 V, 3 A

## 2.3 Exchanging the charger shell

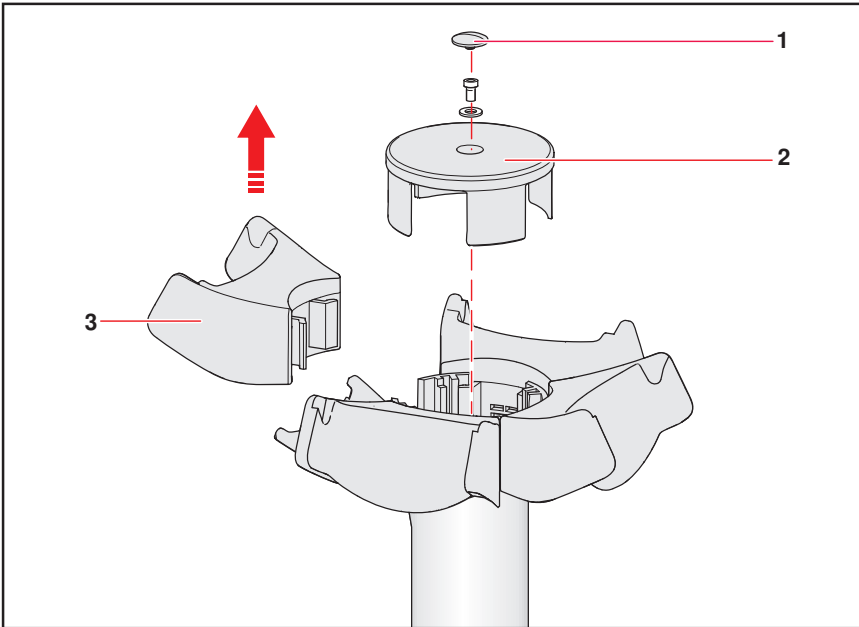


Fig. 3: Exchanging the charger shell

|                        |                      |
|------------------------|----------------------|
| <b>1 Sealing cap</b>   | <b>2 Cover panel</b> |
| <b>3 Charger shell</b> |                      |

The procedure for exchanging a charger shell is as follows:

1. Disconnect the charging plug of the power pack from the connector socket (4).
2. Remove the sealing cap (1).
3. Unscrew the exposed screw using the 2.5 mm Allen key provided with the charger shell accessories. Store the screw and flat washer in a safe place for assembly at a later time.
4. Reach under the charging shells (3) and, by slightly tilting them, individually pull them off in an upwards motion and remove them along with the cover panel (2).
5. Insert the new charging shells. The sliding contacts of the charger shell must touch the gold-plated conductors of the charger carousel.
6. Reassemble the charger carousel in reverse order.
7. Insert the charging plug of the power pack into the connector socket.
8. Check the charging function.

The following message will appear in the device display when an Xplorer pipette or Multipette/Repeater (X)stream is mounted: **Device connected to power supply!** The following message will appear in the device display during removal: **Device disconnected from power supply!** A flashing rechargeable battery symbol indicates that charging is in progress.

## Charger Stand/Carousel Series 4880 – Instructions for use

### 3 Ordering information

| Order No.<br>(International) | Order No.<br>(North America) | Description   |
|------------------------------|------------------------------|---|
| 4880 000.000<br>4880 000.018 | 4880000000<br>4880000018     | <b>Charger stand 4880</b><br>For 1 Xplorer<br>For 1 Multipette/Repeater (X)stream   |
| 4880 000.026                 | 4880000026                   | <b>Charger carousel 4880</b><br>For 4 Xplorer, incl. power supply 4880 603.006  |
| 4986 603.005<br>4880 603.006 | 4986603005<br>4880603006     | <b>Power supply with power plug adapters</b><br>For Multipette/Repeater (X)stream, Xplorer, charger stand series 4880<br>For charger carousel series 4880 |
| 4880 601.003<br>4880 602.000 | 4880601003<br>4880602000     | <b>Charger shell</b><br>For charger carousel series 4880<br>For Multipette/Repeater (X)stream<br>For Xplorer  |
| 4861 601.000                 | 4861601000                   | <b>Lithium-polymer accumulator</b><br>For Xplorer   |
| 4986 602.009                 | 022462407                    | <b>Lithium-ion battery</b><br>For Multipette/Repeater (X)stream   |

**eppendorf**  
*In touch with life*

Your local distributor: [www.eppendorf.com/worldwide](http://www.eppendorf.com/worldwide)

Eppendorf AG · 22331 Hamburg · Germany · Tel: +49 40 538 01-0 · Fax: +49 40 538 01-556 · E-Mail: [eppendorf@eppendorf.com](mailto:eppendorf@eppendorf.com)  
Eppendorf North America, Inc. · 102 Motor Parkway, Suite 410 · Hauppauge, NY 11788-5178 · USA  
Tel: +1 516 334 7500 · Toll free phone: +1 800 645 3050 · Fax: +1 516 334 7506 · E-Mail: [info@eppendorf.com](mailto:info@eppendorf.com)

#### Application Support

Europe, International: Tel: +49 1803 666 789 · E-Mail: [support@eppendorf.com](mailto:support@eppendorf.com)  
North America: Tel: +1 800 645 3050, menu option 2 · E-Mail: [techserv@eppendorf.com](mailto:techserv@eppendorf.com)  
Asia Pacific: Tel: +60 3 8023 6869 · E-Mail: [support\\_asiapacific@eppendorf.com](mailto:support_asiapacific@eppendorf.com)