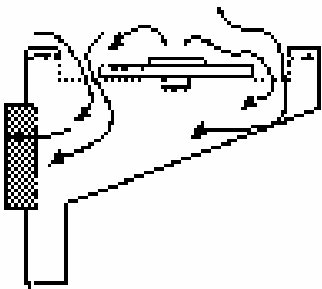
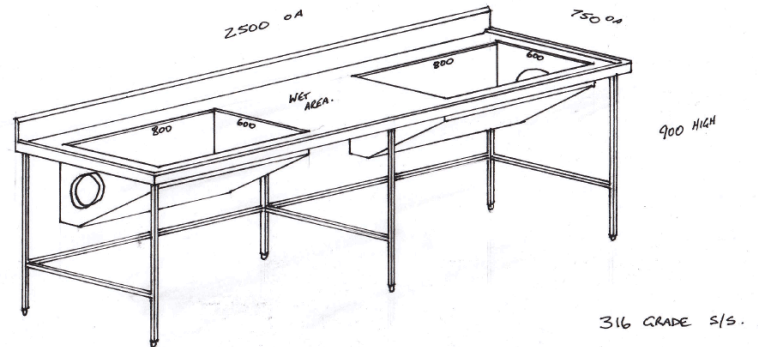


POCD Scientific

DISSECTION TABLE



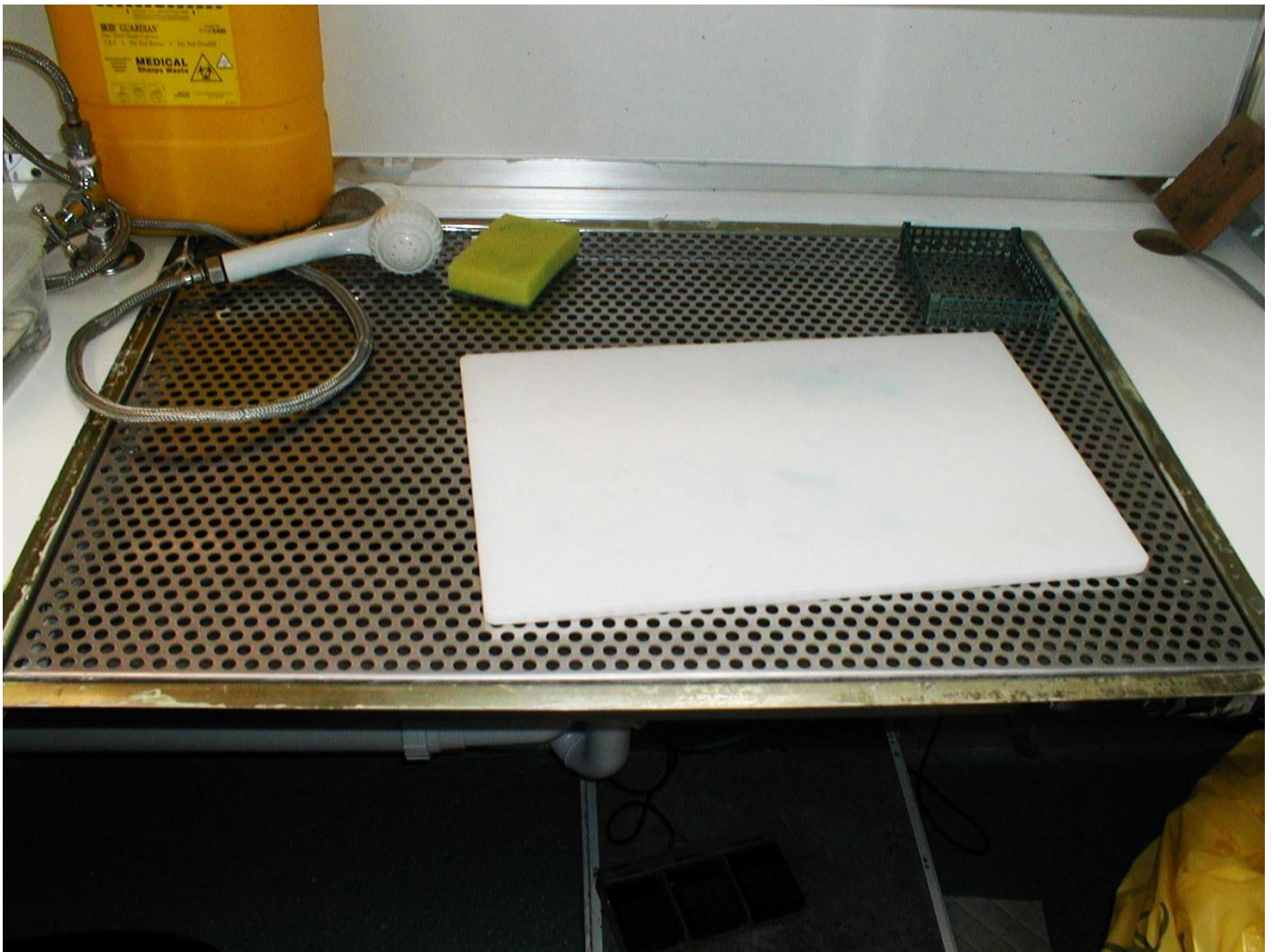
- Recommended for the control of various fumes and vapours, in particular formalin in histological dissection work.
 - Produces 'clean air' by filtering out vapours and gases and drawing the air away from the work area.
 - Airflow does not need to be extracted to the outside of the building but can be re-circulated within the workplace.
 - Drainage is directed to laboratory waste from the area at the base of the table.
- Ergonomically designed and easy to clean stainless steel.
 - Easily installed into existing work spaces or fully-customisable for new work spaces and option for portability.
 - Reduces risk of contamination substantially.
 - Air flow rate at all points in the system exceeds a capture velocity of $0.8 \text{ m}^3/\text{second}$, which is in excess of recommendations.
 - Contains activated carbon filter to eliminate formaldehyde from the breathing zone.
 - The system is used to extract, filter, and expel 'clean' air outside or inside. The effectiveness of the activated carbon means that the air does not need to be extracted to the outside of the building.
 - Optional flash-proof fan to accommodate organic solvents.
 - Constructed from high quality chemically-resistant stainless steel.
 - Standard configuration available: table dimensions 800 x 680mm.
 - Table surface is recessed 50mm and has a 1cm stainless steel mesh surface.
 - For ease of use and operator comfort bench height is not exceeded.

POCD Scientific State Sales Manager: Shilo Kuhnel (0413 590 215)

free call 1800 640 075

e: sales@pocdsscientific.com.au

w: www.pocdsscientific.com.au



Further features:

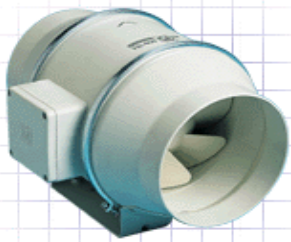
- airflow balance box and volume dampers.
- Optional Perspex Canopy – can create a very effective Downdraught fume cabinet.
- If the dissection table is used in accordance with manufacturer/installers specifications and the filters and fans are maintained in accordance with manufacturer's guidelines the output is suitable for discharge into a public area.
- Ideal for use in pathology and forensic laboratories, universities and schools.

DISSECTION TABLE

Technical Specifications

Carbon Filter

- Displays a property known as de-carboxylation and therefore acts as its own pre-filter.
- Large surface available for absorption due to granular size and irregular shape and mechanical hardness and density of the Carbon.
- Very long effective airflow life.
- Will remove most Volatile Organic Compounds of <30microns, including Acetone and Acetate compounds, Alcohol compounds, Benzene compounds and other odours.
- Works best if air passing through the unit is <32°C and <80% Relative Humidity.



Exhaust Fan

- Very compact design mixed-flow fans.
- Construction: Casings of the 2000/315 model are epoxy coated steel. All units are provided with an integral mounting foot.
- Impellers are of injection moulded

plastic.

- 2-speed motor. Models 250-350 are shaded pole.
- 220-240V, single-phase, 50Hz.
- Bearings - sleeve up to size 350/125 and ball for all other models.
- Speed-controllable using VA type speed controller in high speed only.
- Internal Thermal Protection by fuse to size 350/125.
- Avoid the use of spring-loaded, back-draft dampers, extensive lengths of duct and air valves with the TD-250/100 and TD-350/125 models.

