

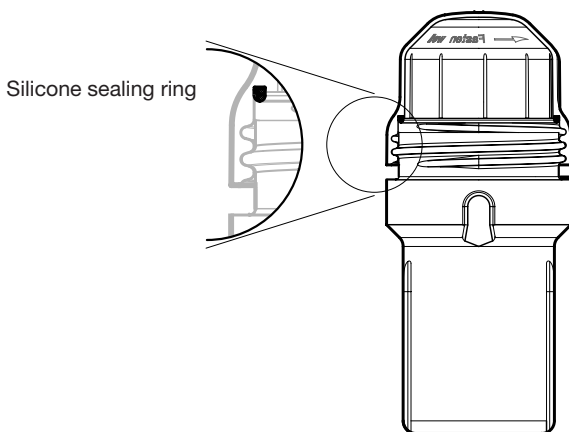
Aerosol-tight 85 ml round bucket – Instructions for use

These Instructions supplement the Centrifuge 5702/5702 R/5702 RH operating manual. They do not replace it. Be sure to read the operating manual before you begin to use the rotor. The current operating manual version is available on the Internet at www.eppendorf.com.

Aerosol-tight centrifugation of the 85 ml round bucket in the Centrifuge 5702 / 5702 R / 5702 RH

Dear Customer,

the hermetic cap is equipped with a silicone sealing ring on the inside. Please do not remove this seal from the cap under any circumstances. Ensure each time you use the cap that the seal is undamaged and sits in the groove properly.



Round bucket and hermetic cap are autoclavable (121 °C, 20 min).

Hermetic cap incl. silicone sealing ring are subject to natural wear and tear and must be replaced when signs of wear become apparent.

When handling the hermetic cap, please keep in mind the limited chemical resistance of the raw material polycarbonate to phenol.

eppendorf
In touch with life

Your local distributor: www.eppendorf.com/worldwide

Eppendorf AG · Hamburg · Germany · Tel: +49 40 538 01-0 · **Application Support** E-Mail: support@eppendorf.com

Eppendorf North America, Inc. · USA · Tel: +1 516 334 7500 · Toll free phone: +1 800 645 3050 · E-Mail: info@eppendorf.com